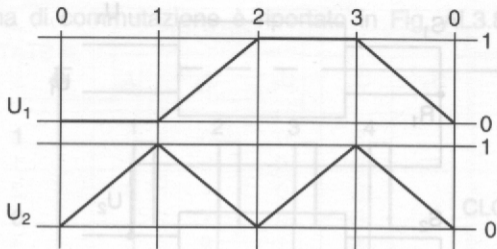
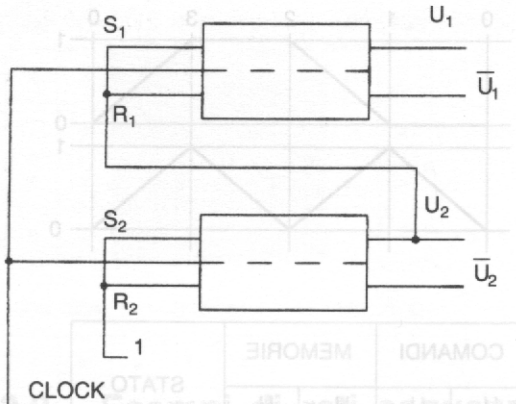


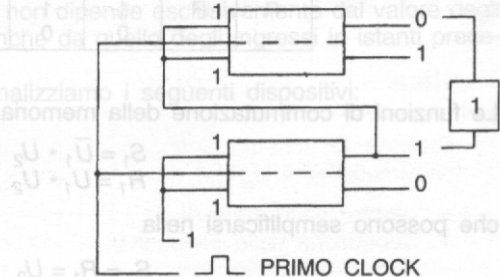
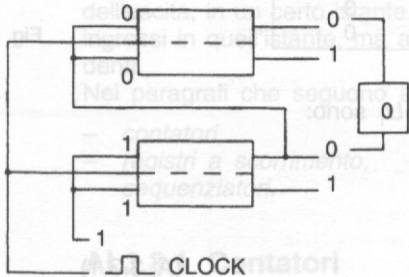
CONTEGGIO (STATO)	U_1	U_2
0	0	0
1	0	1
2	1	0
3	1	1
0	0	0

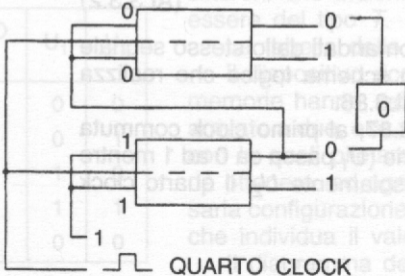
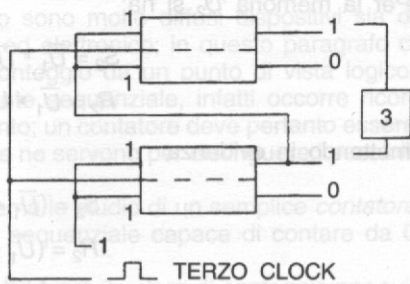
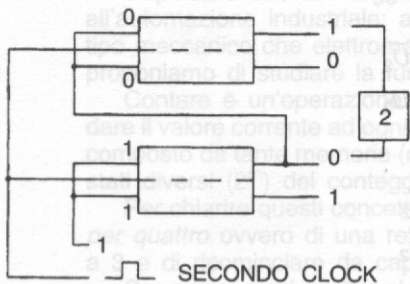
Fig. AL3.83

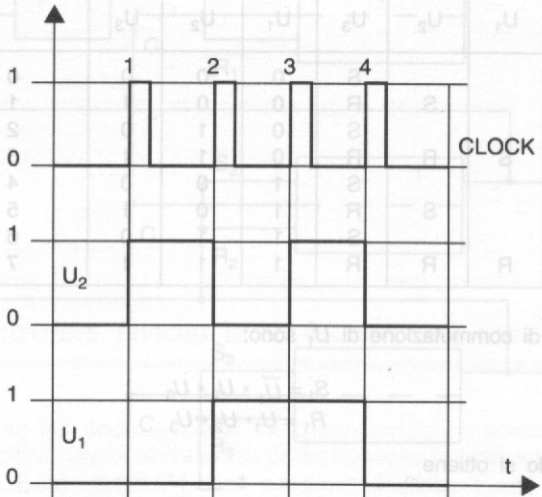


COMANDI		MEMORIE		STATO
U_1	U_2	U_1	U_2	
	S	0	0	0
S	R	0	1	1
	S	1	0	2
R	R	1	1	3
		0	0	0

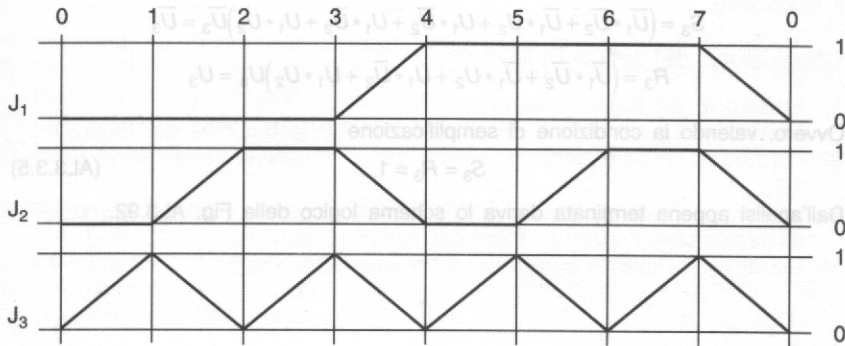




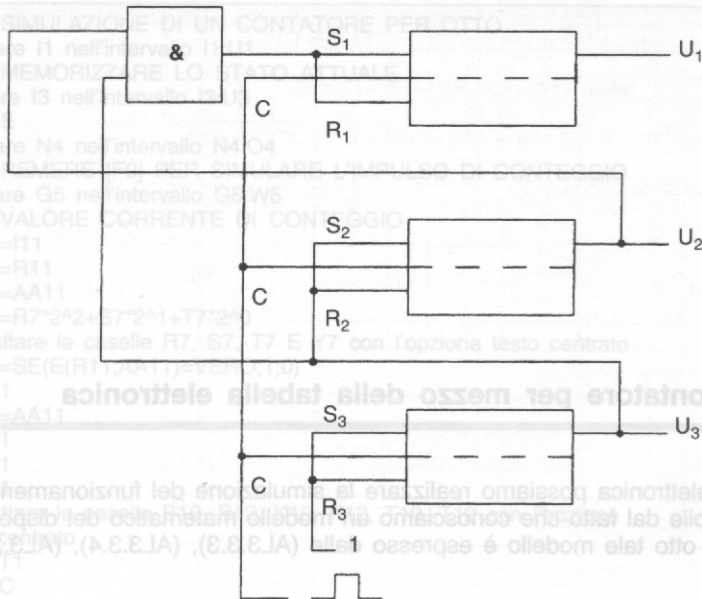




CONTEGGIO	U_1	U_2	U_3
0	0	0	0
1	0	0	1
2	0	1	0
3	0	1	1
4	1	0	0
5	1	0	1
6	1	1	0
7	1	1	1



COMANDI			MEMORIE			STATO
U ₁	U ₂	U ₃	U ₁	U ₂	U ₃	
S		S	0	0	0	0
	S	R	0	0	1	1
		S	0	1	0	2
	R	R	0	1	1	3
		S	S	1	0	0
R	S	R	1	0	1	5
		S	1	1	0	6
	R	R	1	1	1	7



1 0 0 1 0

→ Z A B C D 0 →

	A	B	C	D
Z	1	0	0	1

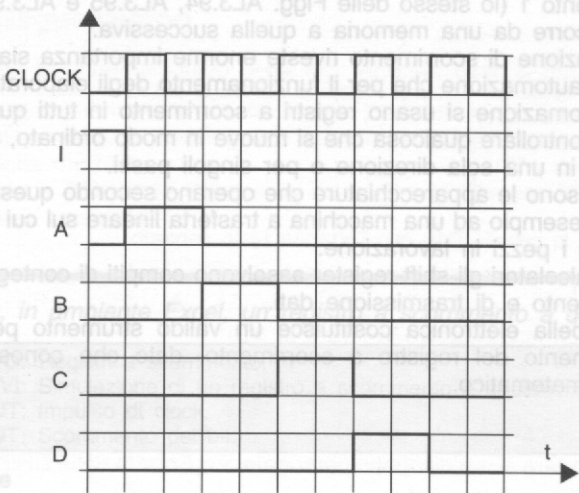
→ Y A B C D 1 →

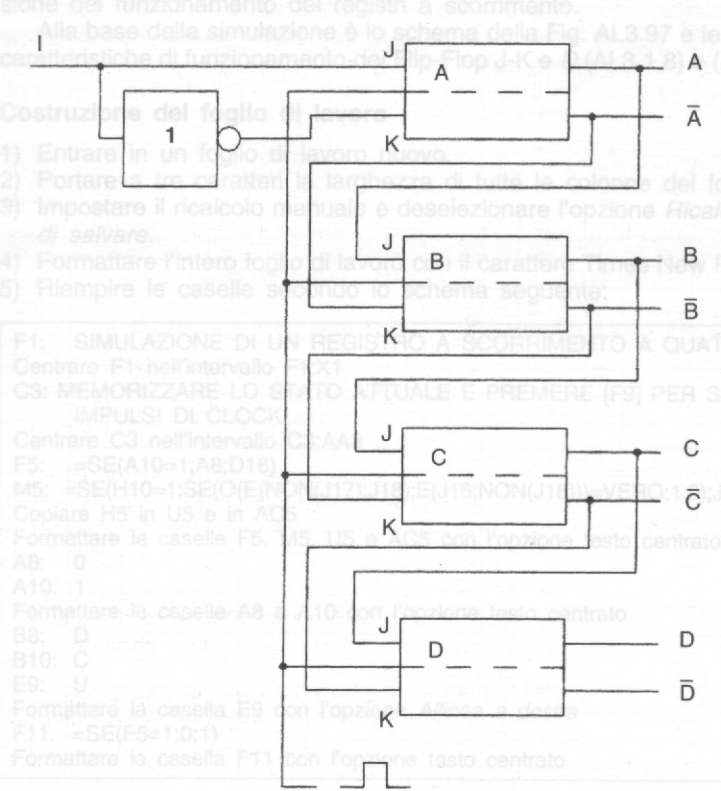
	A	B	C	D
Y	Z	1	0	0

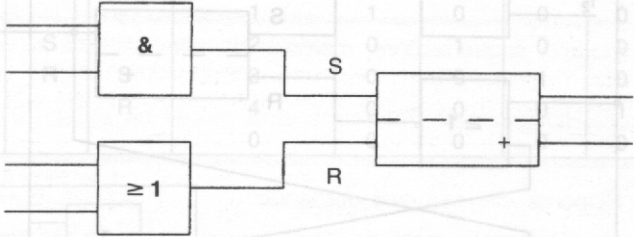
→ X A B C D 0 →

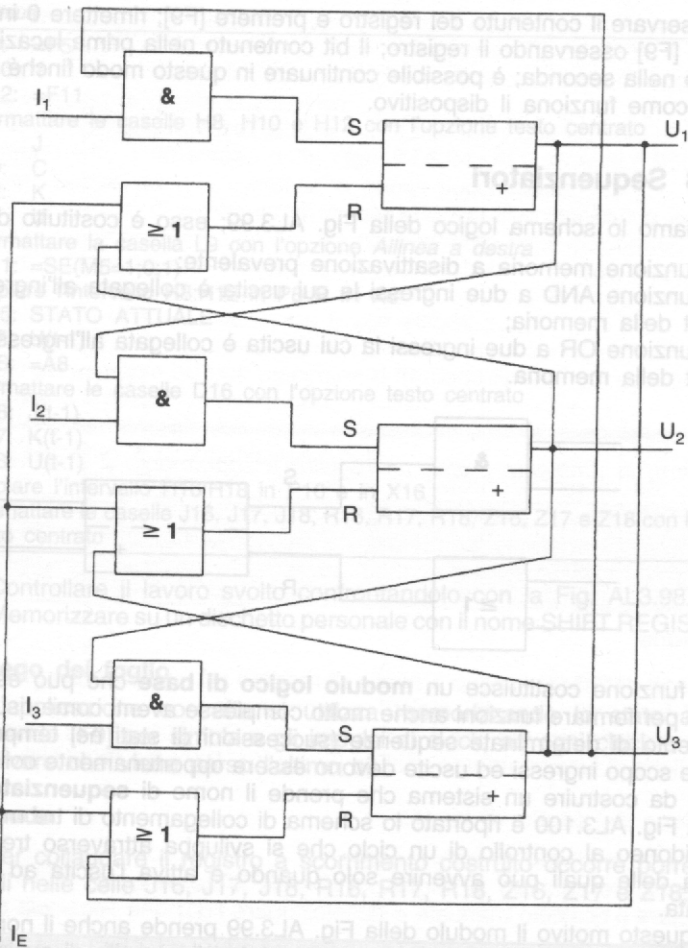
	A	B	C	D
X	Y	Z	1	0

I	A	B	C	D
1	0	0	0	0
0	1	0	0	0
0	Z	1	0	0
0	Y	Z	1	0
0	X	Y	Z	1









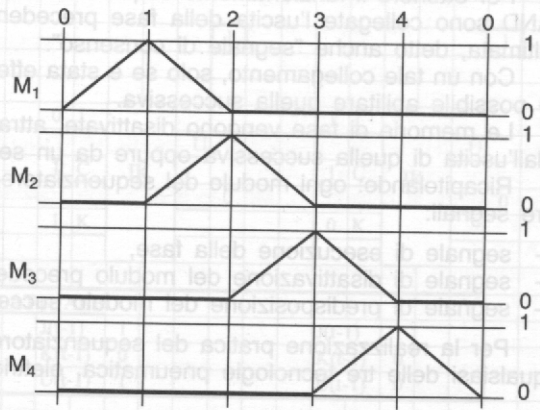
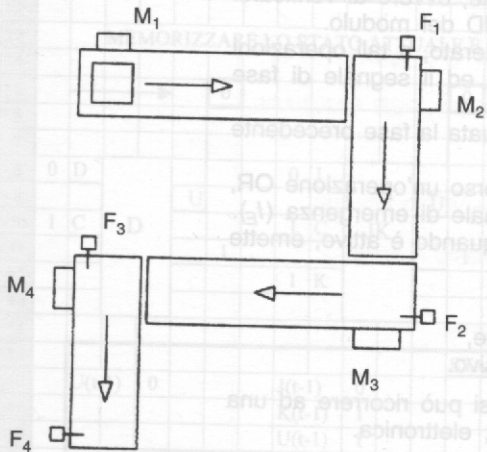


Fig. AL3.101

Fig. AL3.102

COMANDI				STATO	MEMORIE			
M ₁	M ₂	M ₃	M ₄		M ₁	M ₂	M ₃	M ₄
S				0	0	0	0	0
R	S			1	1	0	0	0
	R	S		2	0	1	0	0
		R	S	3	0	0	1	0
			R	4	0	0	0	1
				0	0	0	0	0

